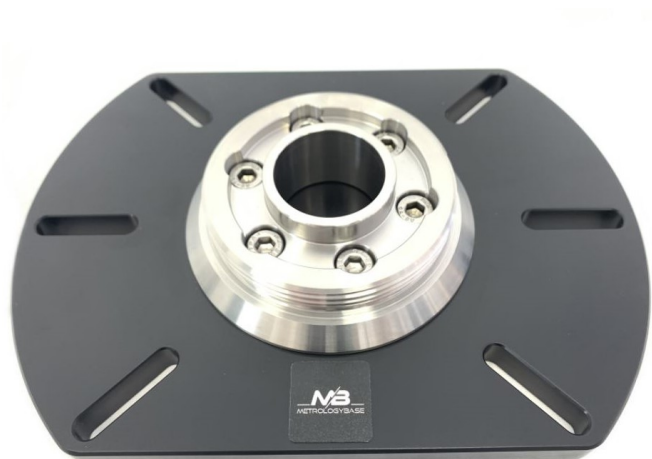


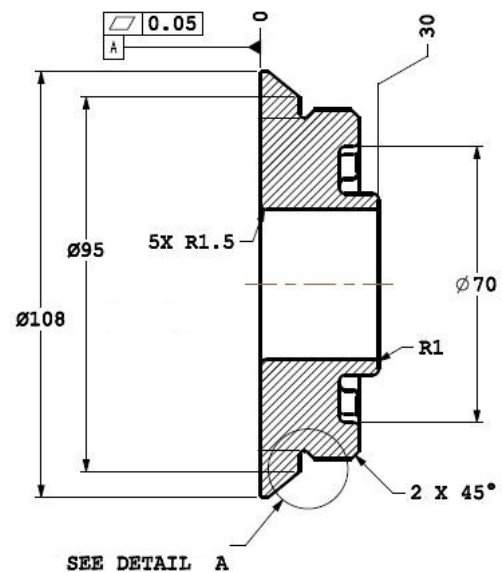
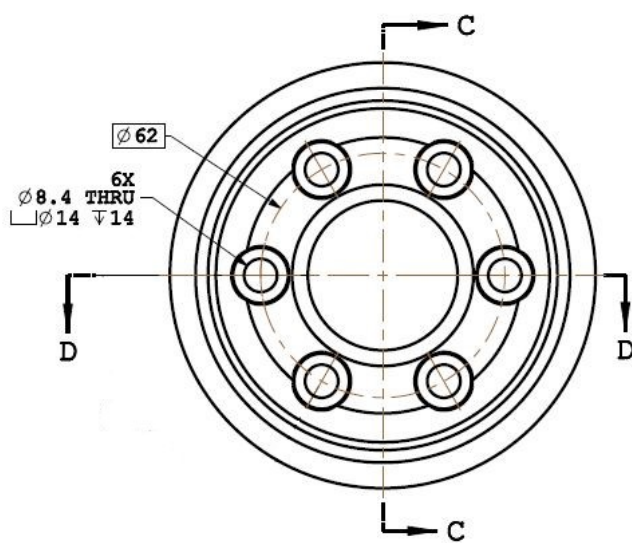
## MOUNTING PLATES

### TECHNICAL SPECIFICATIONS

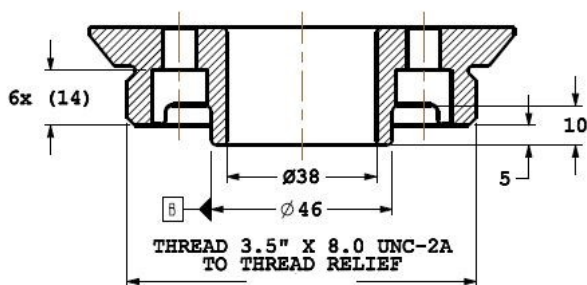


Product Number	Base Plate	Adapter	Weight	Ring
MB-MP-01-A1	1	1	2.45 Kg	3½"-8 Thread
MB-MP-01-A2	1	2	2.41 Kg	3½"-8 Thread
MB-MP-02-A1	2	1	2.98 Kg	3½"-8 Thread
MB-MP-02-A2	2	2	2.94 Kg	3½"-8 Thread

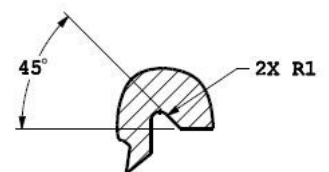
## Mounting Ring 1



SECTION C-C

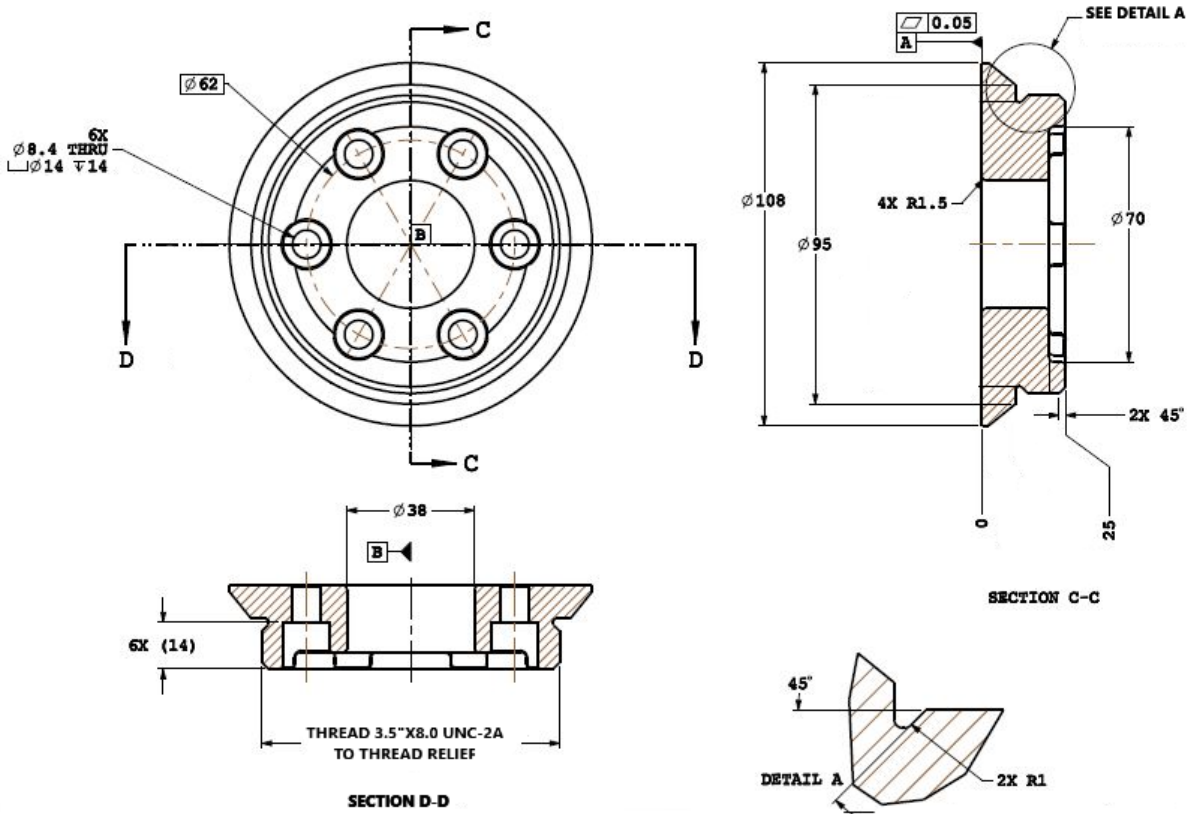


SECTION D-D

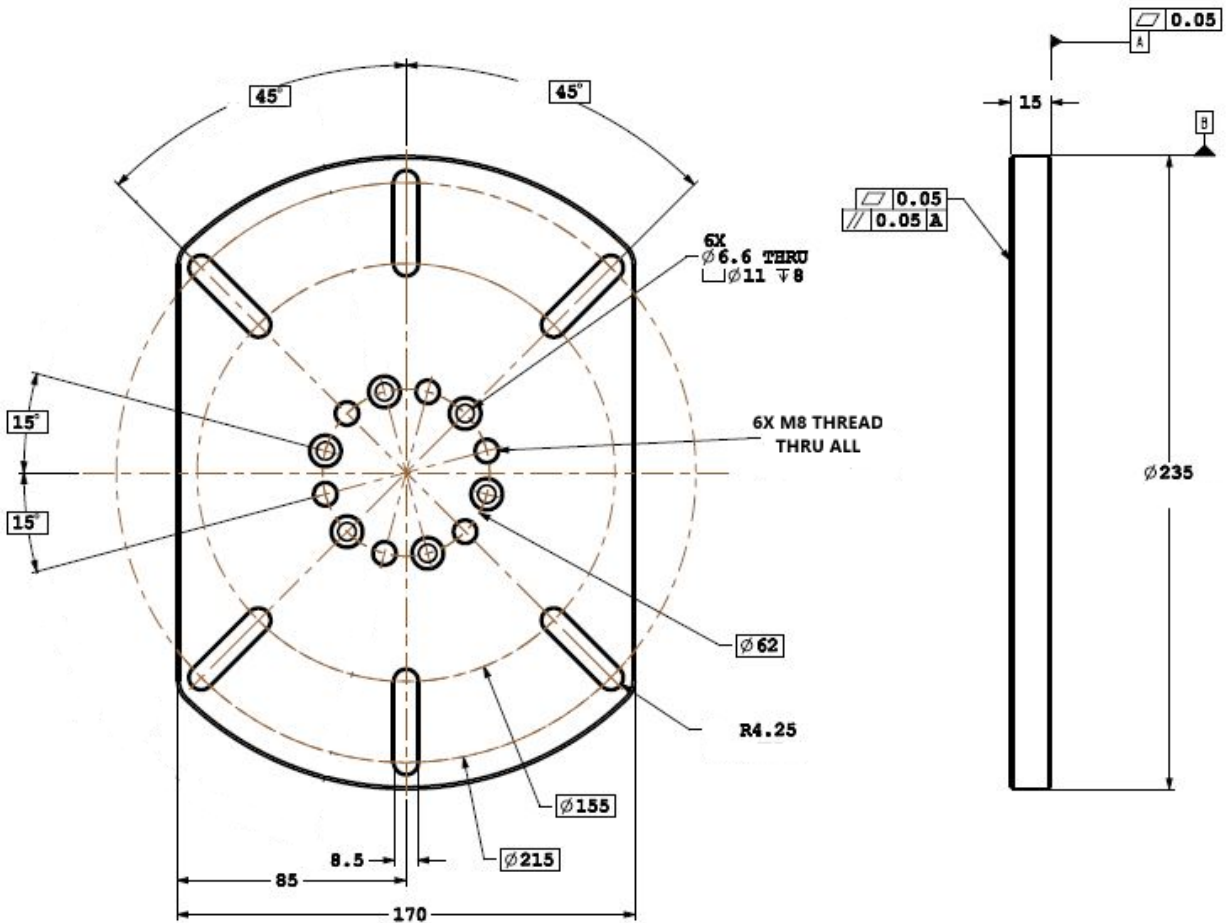


DETAIL A

## Mounting Ring 2



## Mounting Plate 1



# Mounting Plate 2

